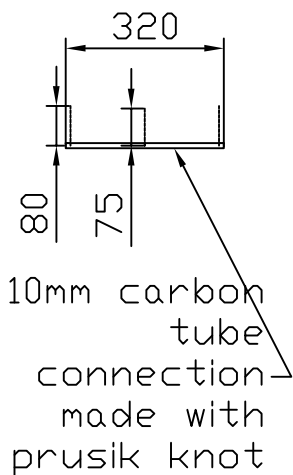
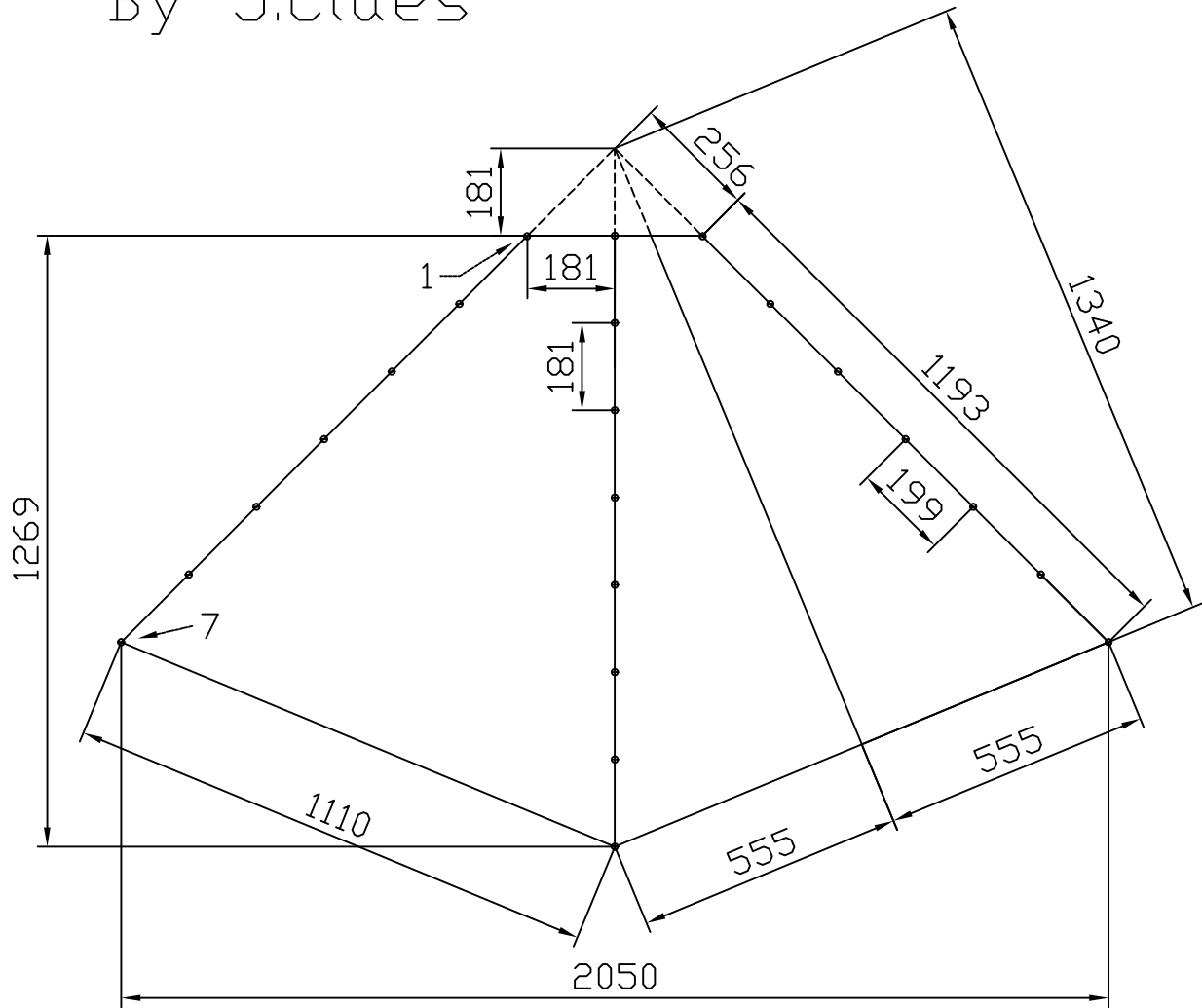


Single Keel Parawing

Area: 1,45 m²

lk=1450 mm

By J.Claes



Line lengths		
Point	Edge	Keel
	mm	mm
1	1991	1971
2	1894	1981
3	1833	2017
4	1757	2004
5	1685	1934
6	1592	1875
7	1488	1805
8		1686

