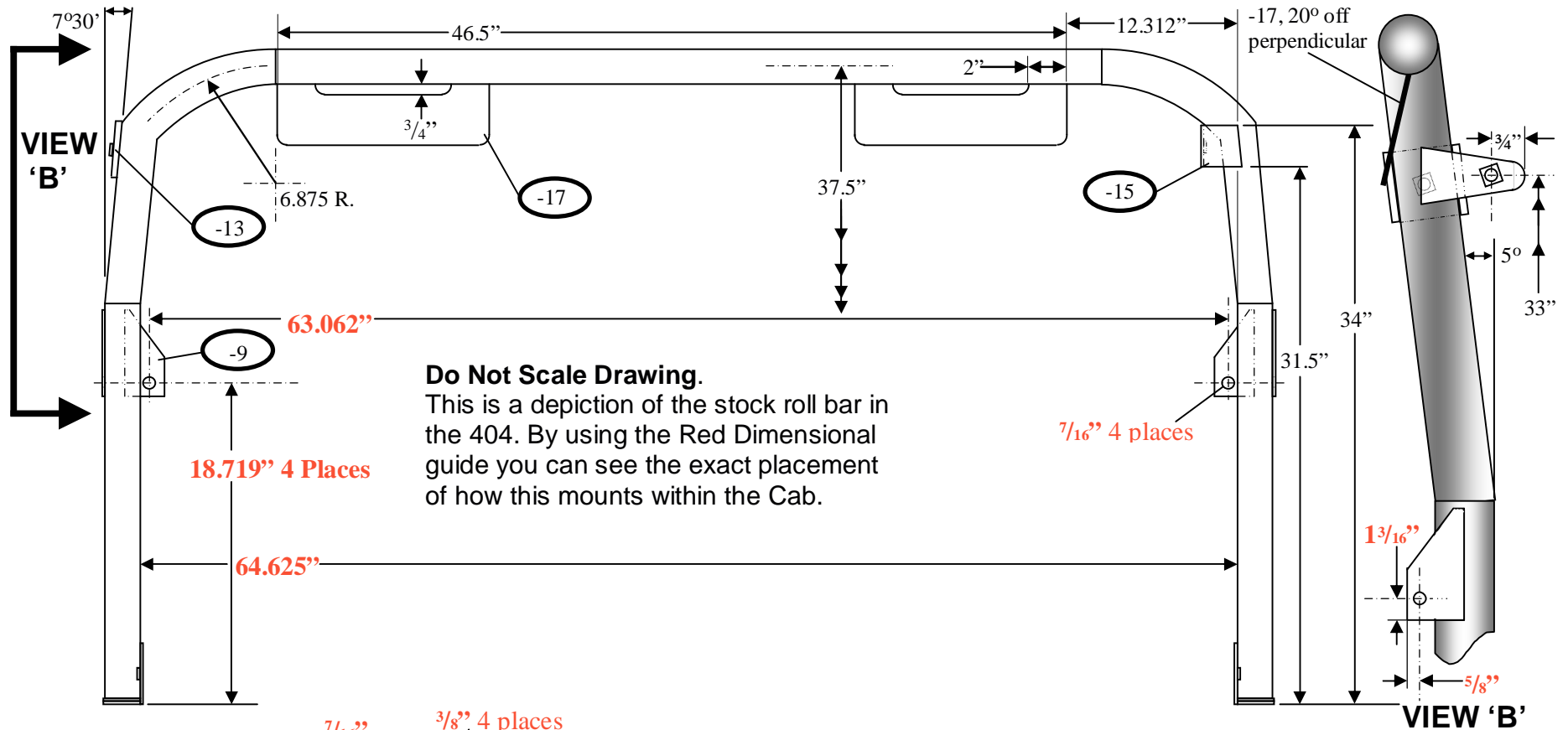
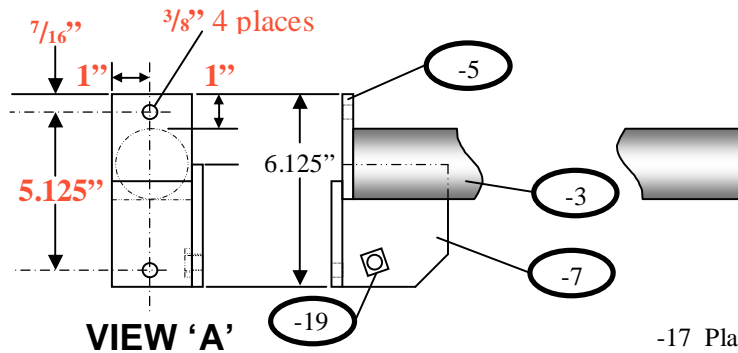


- 3 Seamless Tubing 1.5" ID X .187" wall X 146" Long
- 5 Plate 2.5" X 3.25" X .187" thick - 4 pieces.
- 7 Plate 3.25" X 4.5" X .187" thick - 2 pieces
- 9 Plate 2.5" X 5.5" X .187" thick - 4 pieces.
- 13 Plate 2.25" X 3.75" X .187" thick
- 15 Square Tube 2.5" Long X 2.25" OD Square X .187" wall



Do Not Scale Drawing.
 This is a depiction of the stock roll bar in the 404. By using the Red Dimensional guide you can see the exact placement of how this mounts within the Cab.

NOTE: Tack weld to maintain position. Fillet weld using 3/32" rod - 7018 or equivalent.



- 17 Plate 3.75" X 12.187" X .062" thick - 2 pieces
 - 19 Seat Belt Nut (7/16" or 11 mm Nut over .5 through hole) 4 places
- Use standard fine thread seat belt hardware.