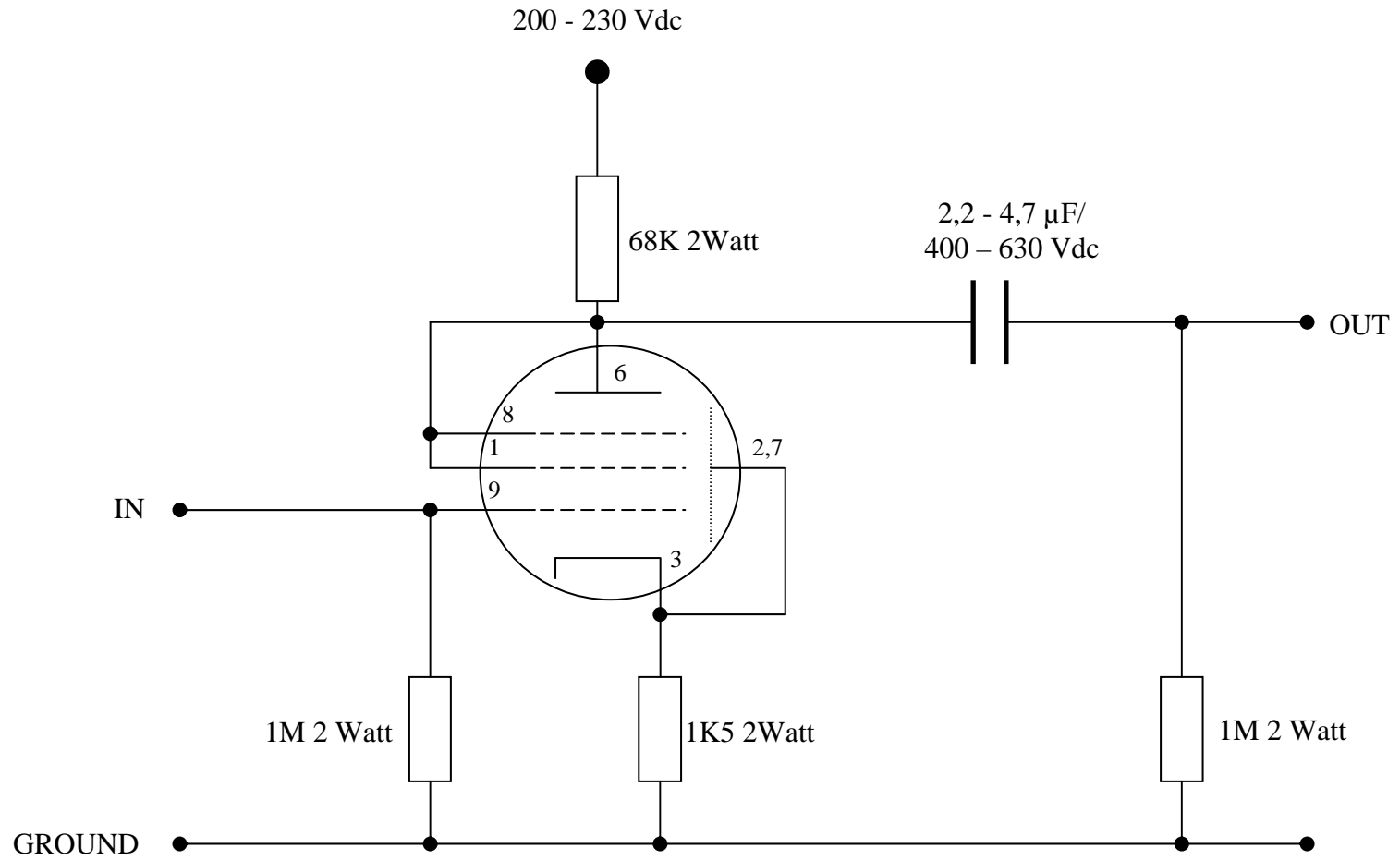
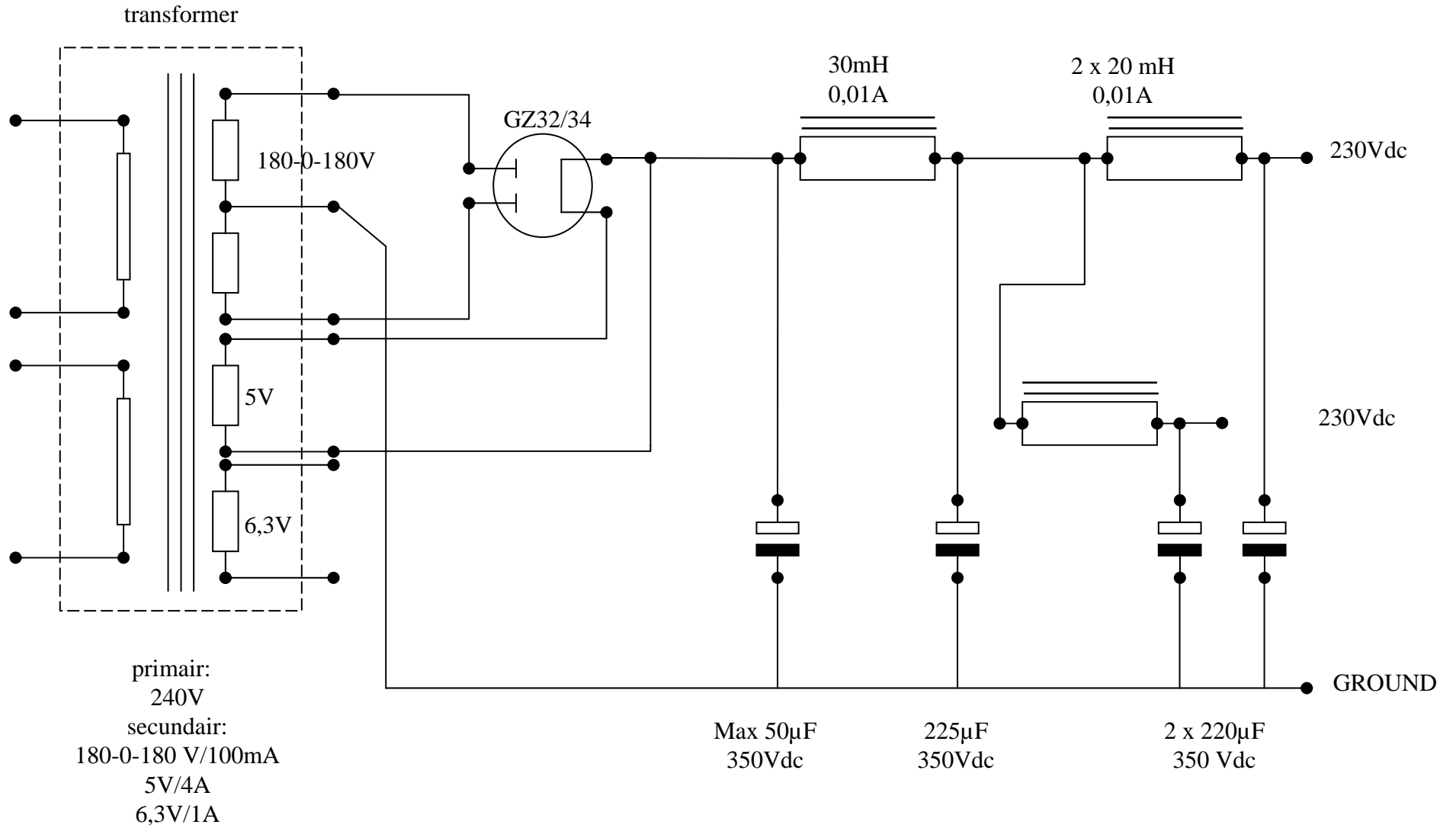


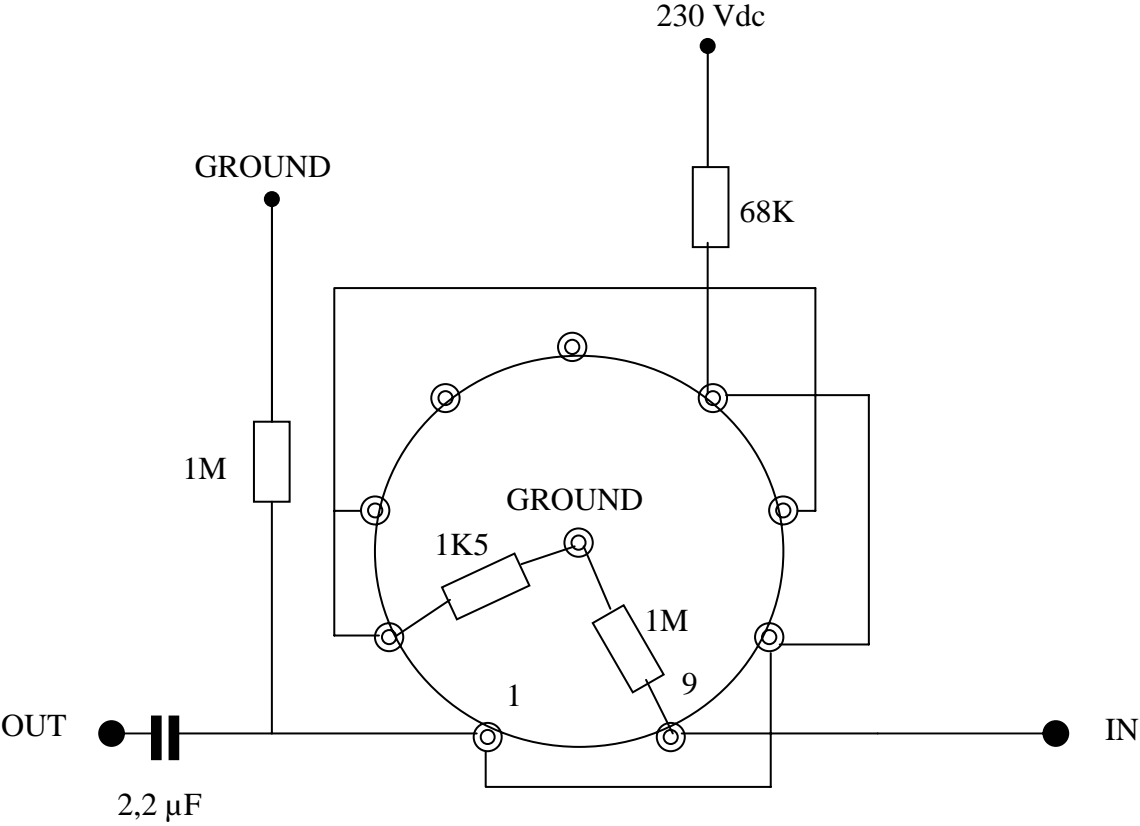
# Schematic audio



# Schematic PSU



# Components layout



Bottom view