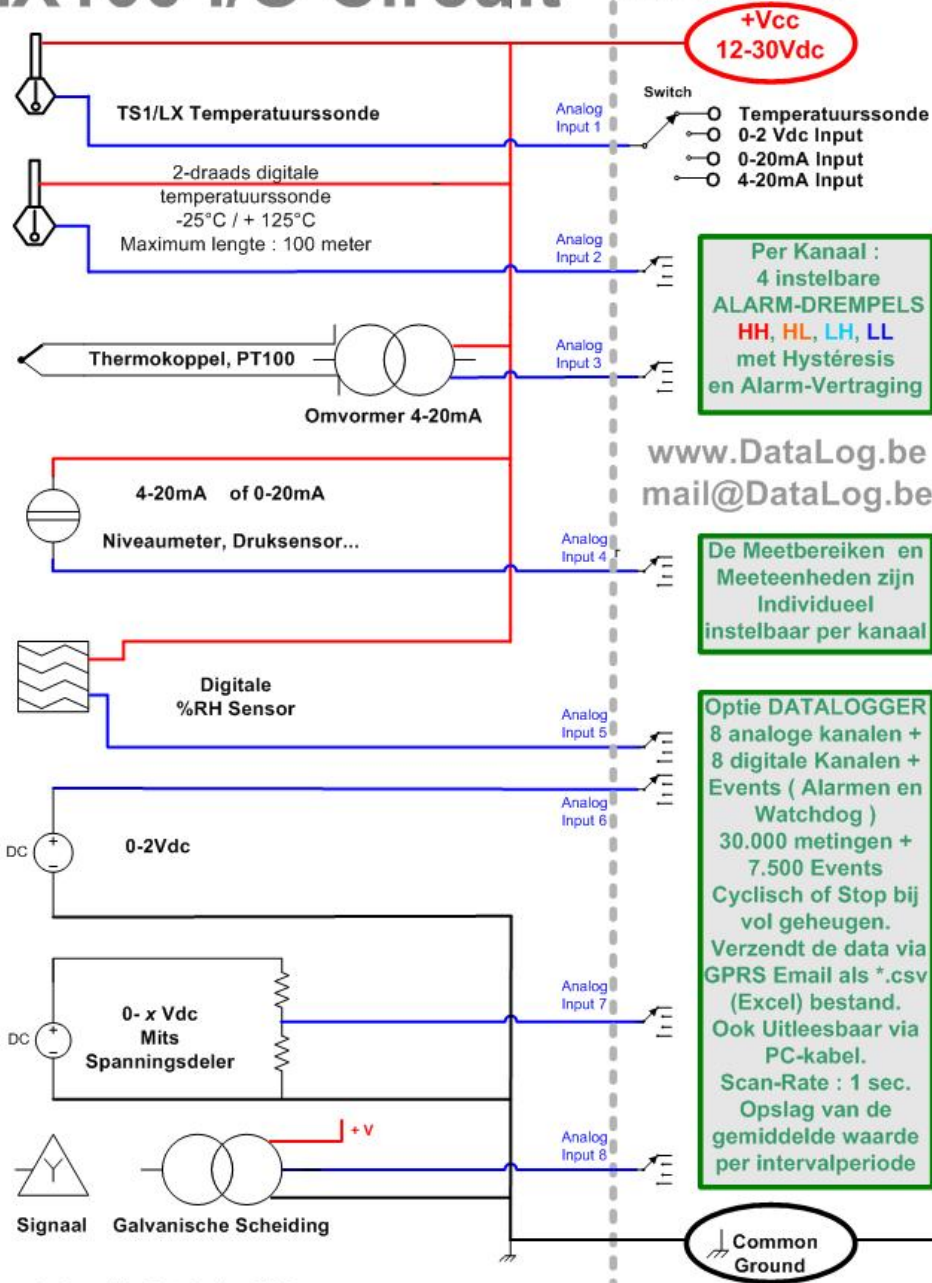


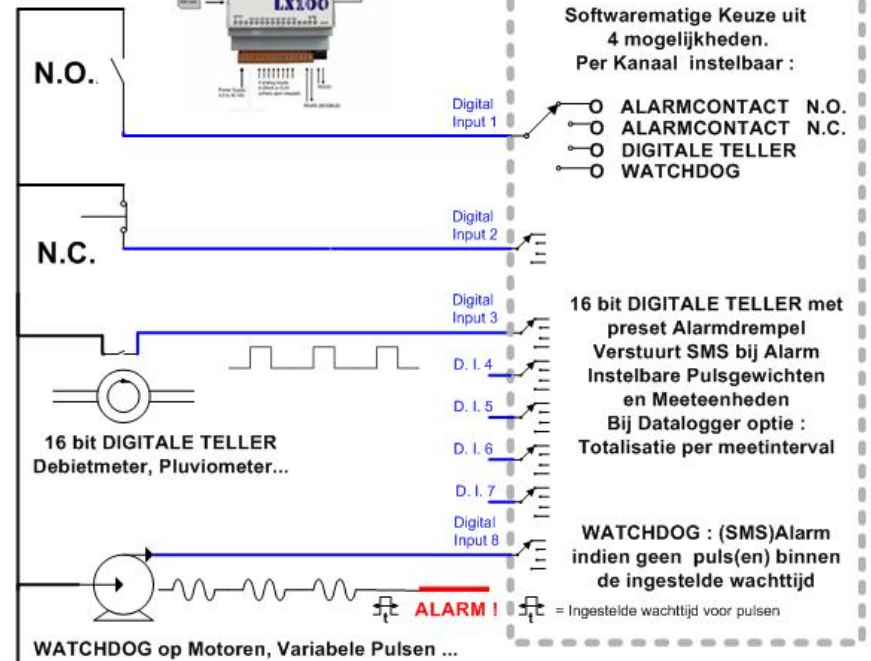
LX100 I/O Circuit

LX100 8 Analog Inputs

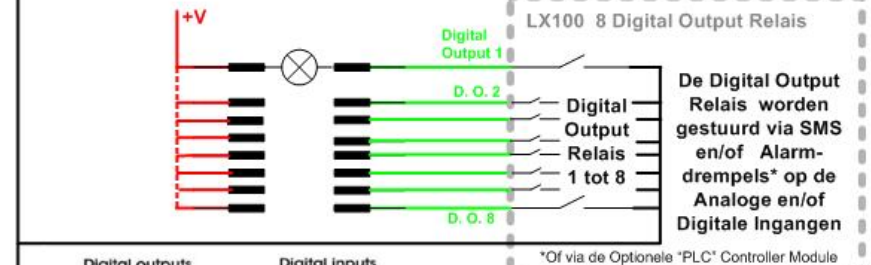


© Copyright Datalog.be 2006

LX100 8 Digital Inputs



LX100 8 Digital Output Relais



*Of via de Optionele "PLC" Controller Module

LX100 Opties :

- Datalogger Module.
- RS485 MODBUS
- "PLC" Controller
- LOW POWER versie (batterijgevoed)
- Externe GSM Antenne

